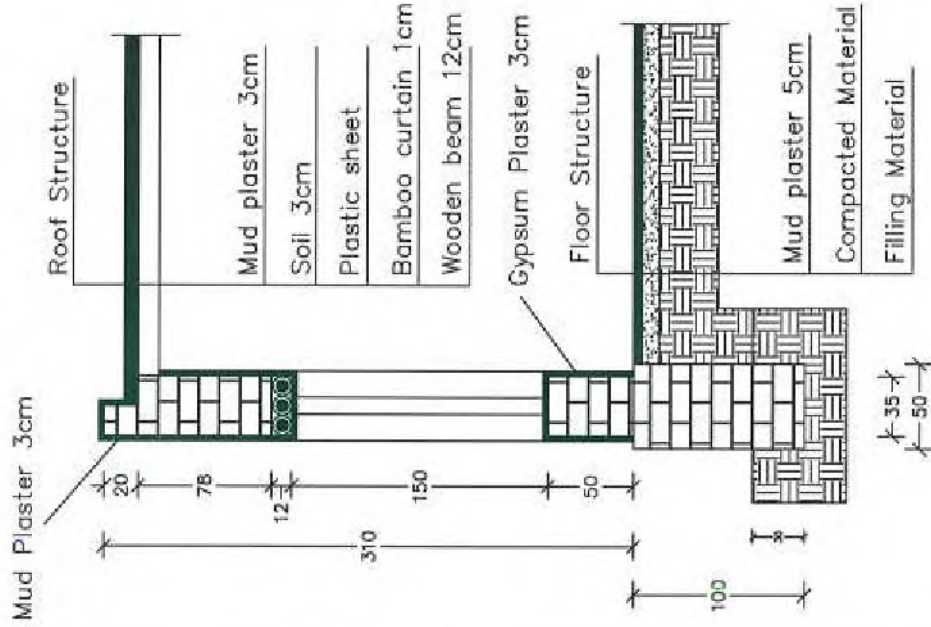


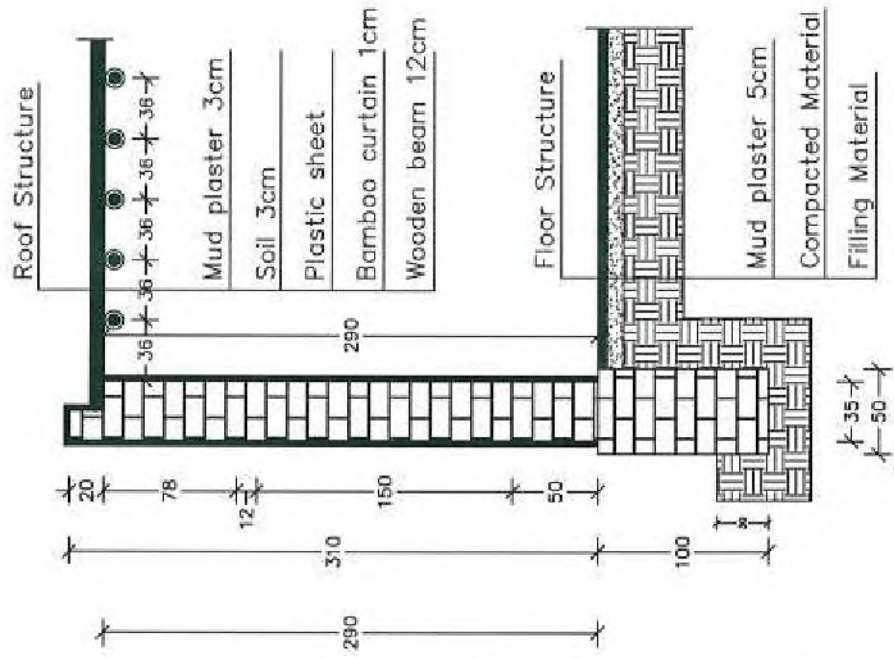
Floor Plan

Drawing Details					
Drawn by	Approved by	Date	Total floor area	Total plinth area	Sheet No
Amanullah Bawar			18sqm	24.79sqm	1





Section B-B



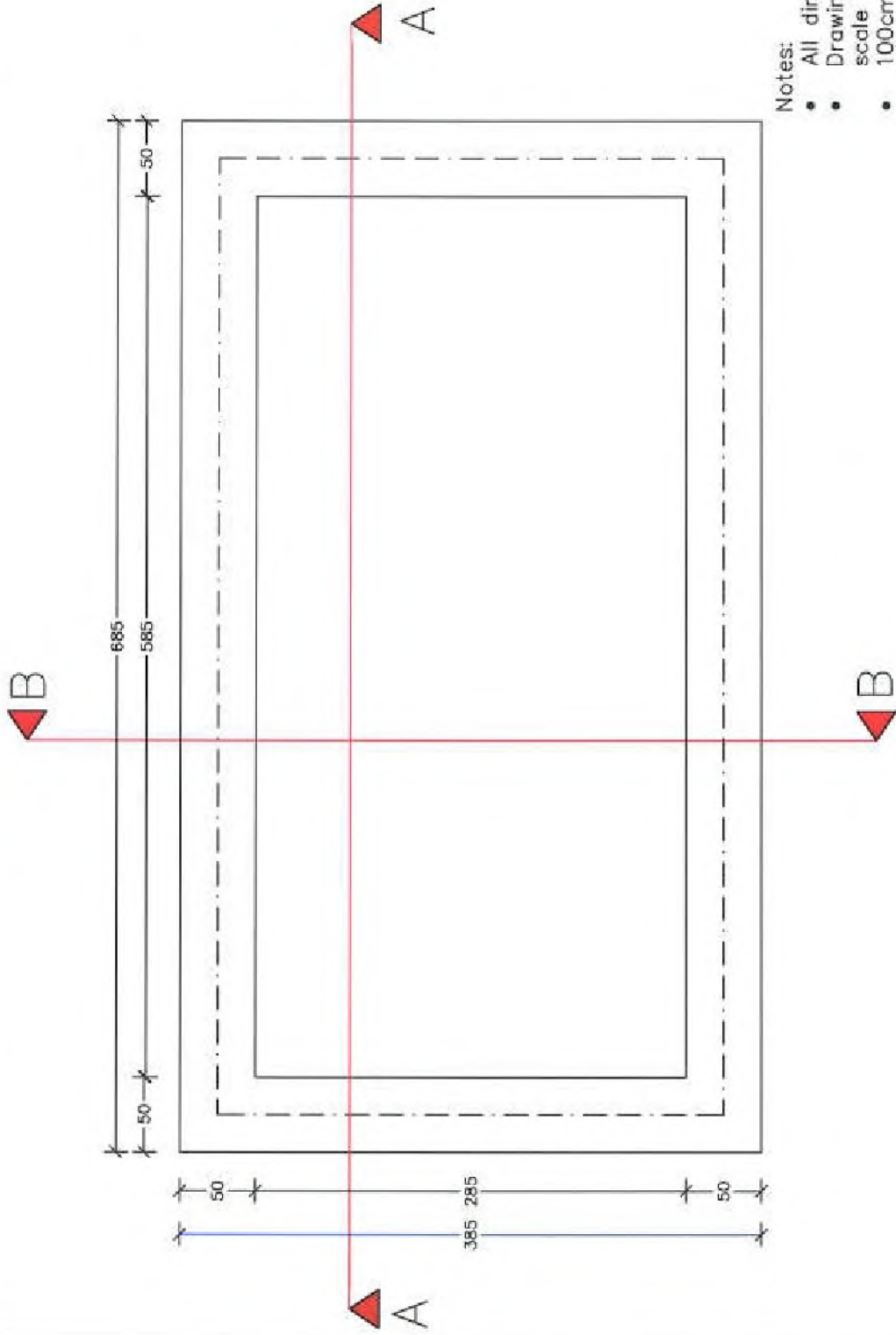
Section A-A

**Notes:**

- All dimensions are in cm.
- All exterior wall surfaces are 3cm mud plastered.
- All interior wall surfaces are 3cm gypsum plastered.
- Not in scale
- 100cm high, 50cm width brick foundation should be worked with 1:5 cement mortar.
- 310cm high, 35cm width brick wall should be worked with mud mortar
- All bricks should be qualified burned brick.

Drawing Details			
Drawn by	Approved by	Date	Total plinth area
Amanullah Bawar			24.79sqm
			Total floor area
			18sqm
			Sheet No
			2





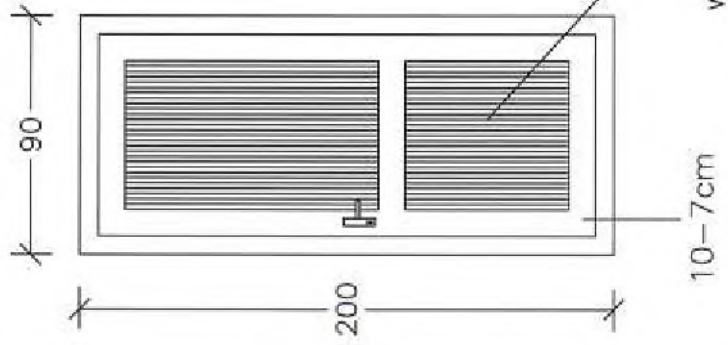
- Notes:
- All dimensions are in cm.
  - Drawings are not in scale
  - 100cm high, 50cm width brick foundation should be worked with 1:5 cement mortar.
  - All bricks should be qualified burned brick.

### Foundation Plan

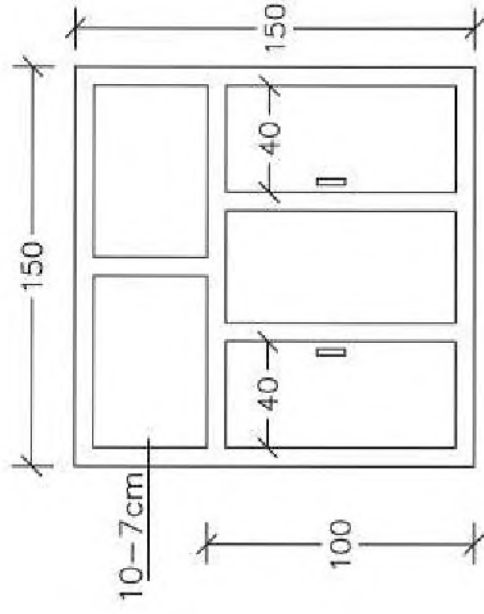
#### Drawing Details

Drawn by	Approved by	Date	Total floor area	Total pinth area	Sheet No
Amanullah Bawar			18sqm	24.79sqm	3

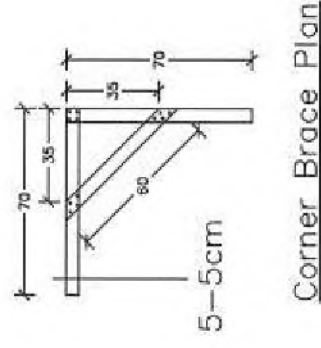




Door Design



Window Design



Corner Brace Plan

Notes:

- All dimensions are in cm.
- Not in scale.
- All door and window locks shall be qualified.

Drawing Details

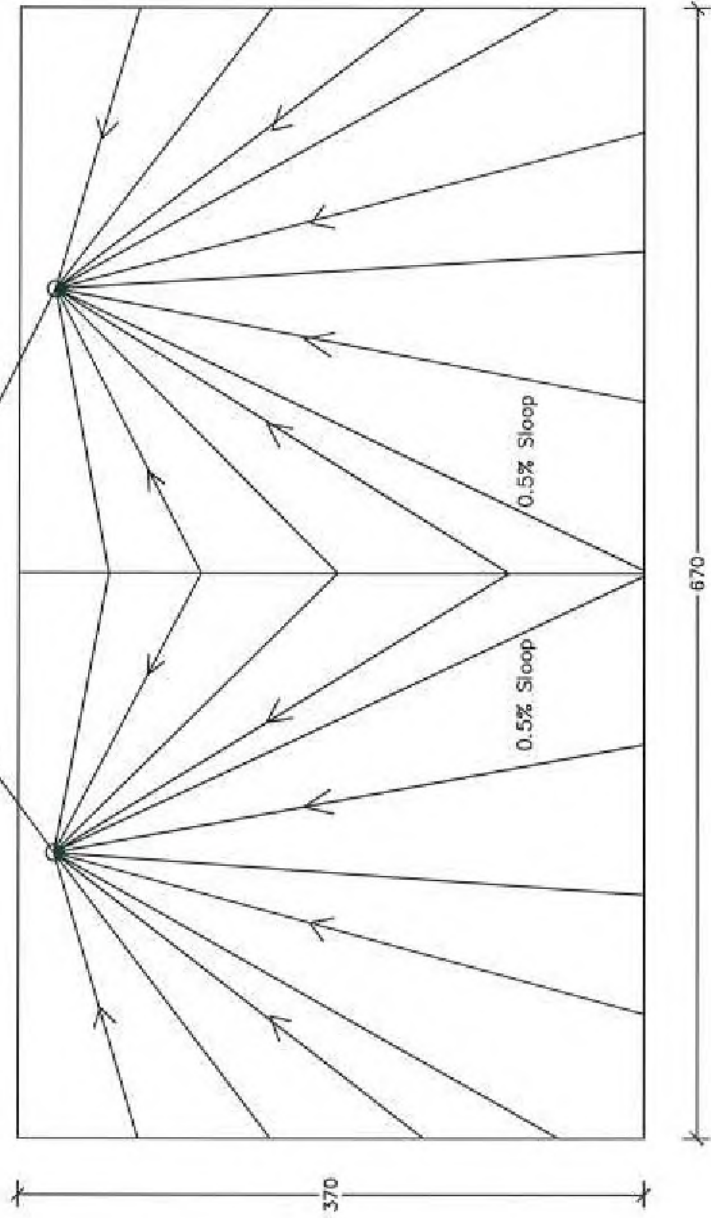
Drawn by	Approved by	Date	Total floor area	Total pinth area	Sheet No
Amanullah Bawar			18sqm	24.79sqm	4



welt  
hunger  
hilfe



Gutter Plan




Gutter Plan

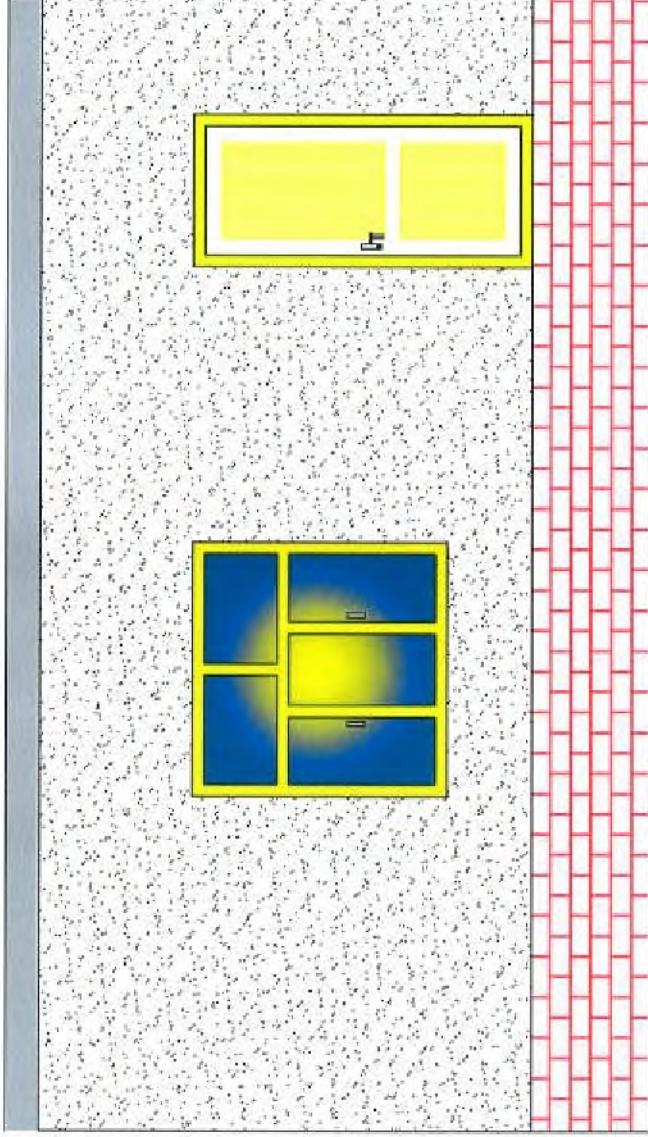
Notes:

- All dimensions are in cm.
- Not in scale.
- Gutter position is optional, beneficiary can change the position.
- Roof Sloop is 0.5%.
- Gutter should be made from qualified GI sheet.Channel section.

Roof Plan

Drawing Details

 welt hunger hilfe	Drawn by	Approved by	Date	Total floor area	Total plinth area	Sheet No
	Amanullah Bawar			18sqm	24.79sqm	5



Front Elevation

Notes:

- All dimensions are in cm.
- Not in scale.
- Corner Brace detail is drawn in Details Sheet

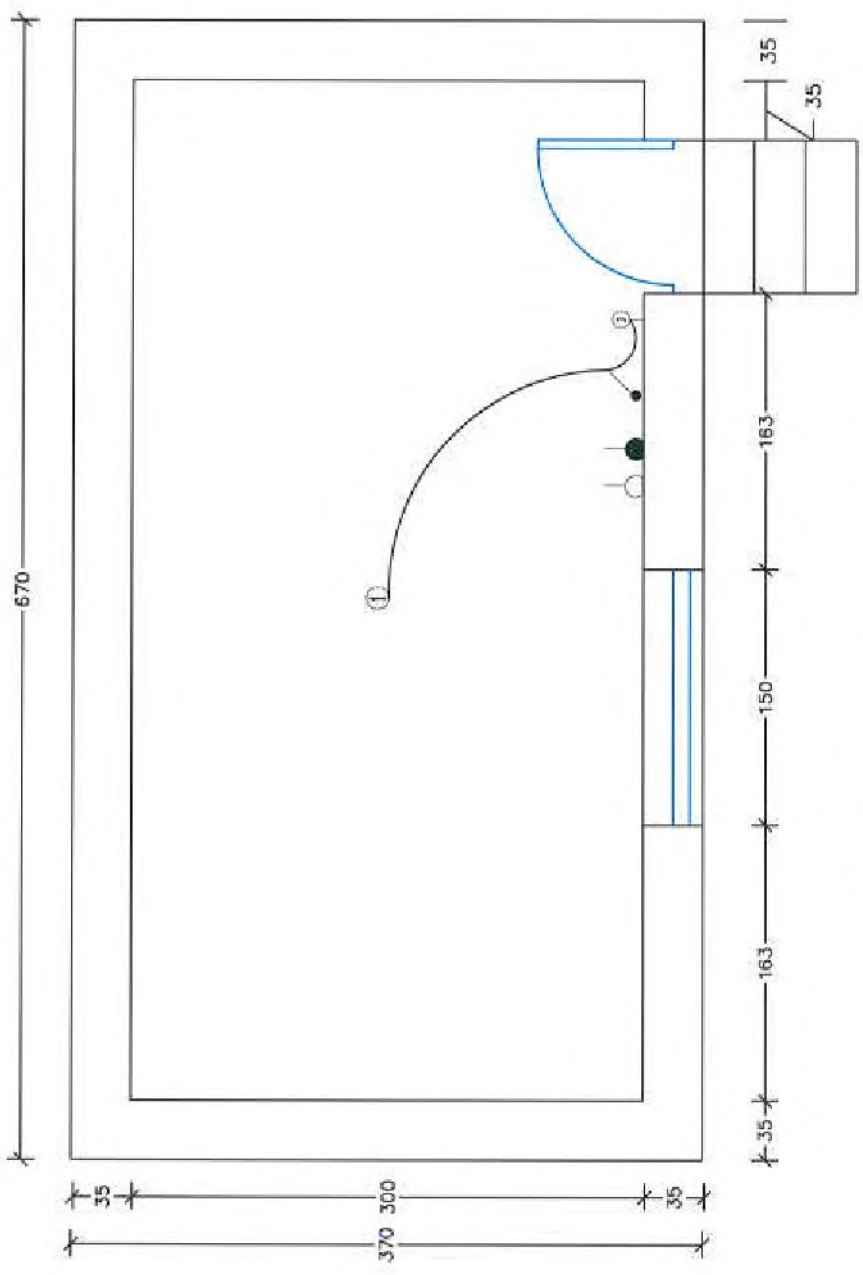
Drawing Details

Drawn by	Approved by	Date	Total floor area	Total plinth area	Sheet No
Amanullah Bawar			18sqm	24.79sqm	6



welt  
hunger  
hilfe

- Notes:**
- All power wires shall be made in Turkish.
  - All the wires shall be 2X1.5mm for lights.
  - All the wires shall be 2X2.5mm for outlets.
  - All wires shall be under plaster.
  - All the electrical fixtures shall be approved by engineer in charge prior to install.
  - Drawings are not in scale.
  - All dimensions are in cm.



## Electrical layout Plan

SYMBOL	DESCRIPTION	MANUFACTURE
⚡	60W/ 1 gang 1 way lighting switch	CE certified
⊖	Single switched socket outlet	CE certified
Ⓛ	25 W single light	CE certified
Ⓜ	Door box	CE certified

### Drawing Details

Drawn by	Approved by	Date	Total floor area	Total plinth area	Sheet No
Amanullah Bawar			18sqm	24.79sqm	7







## Bill of Quantity for Shelter with Unbruned Brick (18 Sqm)

Province :  
District :  
Date: 08 / 12 / 2014

Title	No.	Normal unit	A*	Item	Quantity	Unit	Unit cost Afs	Total cost Afs
<b>A1</b>	<b>1.00</b>			<b>Site preparation</b>	<b>40.00</b>	<b>m<sup>2</sup></b>		<b>0</b>
	1.01	0.04		Unskilled Labor	1.60	md		
Preparation of site for the project, preparation of hand tools and equipment								
<b>A2</b>	<b>2.00</b>			<b>Foundation excavation</b>	<b>3.49</b>	<b>m<sup>3</sup></b>		<b>0</b>
				Filling	12.60	m <sup>3</sup>		
	2.01	0.85		Unskilled labor	2.97	md		
The land is ordinary soil								
<b>A3</b>	<b>3.00</b>			<b>Brick masonry for Foundation (1:5) mortar</b>	<b>10.00</b>	<b>m<sup>3</sup></b>		<b>0</b>
	3.01	550		Burned Brick including transportation	5500.00	m <sup>3</sup>		
	3.02	0.27		Sand	2.70	m <sup>3</sup>		
	3.03	65		Cement (M: 200)	650.00	kg		
	3.04	57.5		water	575.00	liter		
	3.05	0.5		Skilled labor on site	5.00	md		
	3.06	1.2		Unskilled labor on site	12.00	md		
Stone should be crushed mountain stone, sand and water is clean, cement should not be more than 3 months old, the cement - sand proportion will be considered								
<b>A4</b>	<b>4.00</b>			<b>Brick Masonry work for Wall with 1:5 mortar</b>	<b>27.00</b>	<b>m<sup>3</sup></b>		<b>0</b>
	4.01	550		Unburned Brick including transportation	14850.00	pcs		
	4.02	0.25		Soil	6.75	m <sup>3</sup>		
	4.03	57.5		water	1552.50	liter		
	4.04			Corner Brace, thickness=5cm (according to drawing)	4.00	pcs		
	4.05	0.5		Skilled labor on site	13.50	md		
	4.06	1.2		Unskilled labor on site	32.40	md		
well burnt brick will be used, the sand and water is clean, the cement is not older than 3 months								
<b>A5</b>	<b>5.00</b>			<b>Roofing work</b>	<b>28.00</b>	<b>Sqm</b>		<b>0</b>
	5.01			Wooden Beam (Destek), (Circumfrens = 35-40 cm) L=4m	17.00	Pcs		
	5.02			Bamboo Sheet: (Available sizes are in market: 3x3, 3x4 and 4x5 meters)	28.00	Sqm		
	5.03			Plastic Sheet	28.00	Sqm		
	5.04			Clay and dry soil over Bamboo Sheet T=15cm	28.00	Sqm		
	5.05			Straw and mud plaster, thickness= 1cm	28.00	Sqm		
	5.06			Gutter L=70cm	2.00	Pcs		
	5.07	0.04		Skilled labor on site	1.12	md		
	5.08	0.03		Skilled labor on site	0.84	MD		
<b>A6</b>	<b>6.00</b>			<b>Doors + windows</b>	<b>4.05</b>	<b>m<sup>2</sup></b>		<b>0</b>
	6.01			Wooden Door (90x200) cm with frame of (7x10) cm, including haps, 2 metallic handles and all required activities. Type of wood is Russian	1.00	Pcs		
	6.02			Wooden Window (150x150) cm with glasses, thickness of frame is (7x10) cm, Type of wood is Russian	1.00	Pcs		
	6.03			Skilled labor on site	1.00	md		
	6.04			Unskilled labor on site	1.00	md		
The timber is the best quality available locally or near market, the hardware is China or German made								
<b>A7</b>	<b>7.00</b>			<b>Outside straw and mud plaster</b>	<b>58.00</b>	<b>Sqm.</b>		<b>0</b>
	7.01	0.04		Soil	2.32	m <sup>3</sup>		
	7.02	0.02		Straw	1.16	Bag		
	7.03	0.02		Water	1.16	m <sup>3</sup>		
	7.04	0.04		Skilled labour on site	2.32	md		
	7.05	0.1		Unskilled labour on site	5.80	md		
<b>A8</b>	<b>8.00</b>			<b>Inside Gypsm Plaster</b>	<b>54.00</b>	<b>Sqm</b>		<b>0</b>
	8.01	18		Gypsm	972.00	Kg		
	8.02	3.5		Soil	189.00	Kg		
	8.03	0.01		Water	0.54	m <sup>3</sup>		
	8.04	0.1		Skilled Labor	5.40	MD		
	8.05	0.15		Unskilled Labor	8.10	MD		
<b>A9</b>	<b>9.00</b>			<b>Electrical work</b>	<b>1.00</b>	<b>room</b>		<b>0</b>
	9.01			6 Amp, 1 gang, 1 way Swich for Bulb	1.00	Pcs		
	9.02			Saket under plaster	1.00	Pcs		
	9.03			Wire (2x2.5)	3.00	m		
	9.04			Wire (2x1.5)	3.00	m		
	9.05			Joint Box	1.00	Pcs		
	9.06			25 W bulb	1.00	Pcs		
	9.07	1		Skilled labour	1.00	MD		
All the electrical material will be Iranian or German made.								
<b>Total cost</b>								<b>0</b>

\* A is amendment norm (if the existing norm does not fit to the site condition please ignore it and write the actual norm to this column and follow the procedure)

Note: Any other needed activities which is not included here can be added





## Bill of Quantity for Shelters with Burned brick (18 Sqm)

Province :  
District :  
Date: 08 / 12 / 2014

Title	No.	Normal unit	A* Norm	Item	Quantity	Unit	Unit cost Af\$	Total cost Af\$
<b>A1</b>	<b>1.00</b>			<b>Site preparation</b>	<b>28.00</b>	<b>m<sup>2</sup></b>		<b>0</b>
	1.01	0.04		Unskilled Labor	1.12	md		
Preparation of site for the project, preparation of hand tools and equipment								
<b>A2</b>	<b>2.00</b>			<b>Foundation excavation</b>	<b>3.49</b>	<b>m<sup>3</sup></b>		<b>0</b>
	2.01	0.85		Filling	11.00	m <sup>3</sup>		
				Unskilled labor	2.97	md		
The land is ordinary soil								
<b>A3</b>	<b>3.00</b>			<b>Brick masonry for Foundation (1:5) mortar</b>	<b>9.70</b>	<b>m<sup>3</sup></b>		<b>0</b>
	3.01	500		Burn Brick including transportation	5335.00	m <sup>3</sup>		
	3.02	0.27		Sand	2.62	m <sup>3</sup>		
	3.03	65		Cement (M: 200)	630.50	kg		
	3.04	57.5		water	557.75	liter		
	3.05	0.5		Skilled labor on site	4.85	md		
	3.06	1.2		Unskilled labor on site	11.64	md		
Stone should be crushed mountain stone, sand and water is clean, cement should not be more than 3 months old, the cement - sand proportion will be considered								
<b>A4</b>	<b>4.00</b>			<b>Brick Masonry work for Wall with mud mortar</b>	<b>18.27</b>	<b>m<sup>3</sup></b>		<b>0</b>
	4.01	550		Burn Brick including transportation	10248.50	pcs		
	4.02	0.25		Soil	4.57	m <sup>3</sup>		
	4.03	57.5		water	1050.53	liter		
	4.04			Corner Brace, thickness=5cm (according to drawing)	4.00	pcs		
	4.05	0.5		Skilled labor on site	9.14	md		
	4.06	1.2		Unskilled labor on site	21.92	md		
wall burnt brick will be used, the sand and water is clean, the cement is not older than 3 months								
<b>A5</b>	<b>5.00</b>			<b>Roofing work</b>	<b>24.79</b>	<b>Sqm</b>		<b>0</b>
	5.01			Wooden Beam (Destak), (Circumference = 35-40 cm) L=4m	17.00	Pcs		
	5.02			Wooden Beam Cir=25-35 cm, L=2m for door lintel	3.00	Pcs		
	5.03			Wooden Beam Cir=25-35 cm, L=2.5m for window lintel	3.00	Pcs		
	5.04			Bamboo Sheet; (Available sizes are in market: 3x3, 3x4 and 4x5 meters)	25.00	Sqm		
	5.05			Plastic Sheet	25.00	Sqm		
	5.06			Clay and dry soil over Bamboo Sheet T=15cm	24.79	Sqm		
	5.07			Straw and mud plaster, thickness= 1cm	24.79	Sqm		
	5.08			Gutter L=70cm	2.00	Pcs		
	5.09	0.04		Skilled labor on site	0.99	md		
	5.10	0.03		Skilled labor on site	0.74	MD		
<b>A6</b>	<b>6.00</b>			<b>Doors + windows</b>	<b>4.05</b>	<b>m<sup>2</sup></b>		<b>0</b>
	6.01			Wooden Door (80x200) cm with frame of (7x10) cm, including hinges, 2 metallic handles and all required activities, Type of wood is Russian	1.00	Pcs		
	6.02			Wooden Window (150x150) cm with glasses, thickness of frame is (7x10) cm, Type of wood is Russian	1.00	Pcs		
	6.03			Skilled labor on site	1.00	md		
	6.04			Unskilled labor on site	1.00	md		
The timber is the best quality available locally or near market, the hardware is China or German made								
<b>A7</b>	<b>7.00</b>			<b>Outside straw and mud plaster</b>	<b>51.75</b>	<b>Sqm.</b>		<b>0</b>
	7.01	0.04		Soil	2.07	m <sup>3</sup>		
	7.02	0.02		Straw	1.04	Bag		
	7.03	0.02		Water	1.04	m <sup>3</sup>		
	7.04	0.04		Skilled labour on site	2.07	md		
	7.05	0.1		Unskilled labour on site	5.18	md		
<b>A8</b>	<b>8.00</b>			<b>Inside Gypsum Plaster</b>	<b>48.15</b>	<b>Sqm</b>		<b>0</b>
	8.01	18		Gypsum	886.70	Kg		
	8.02	3.5		Soil	108.53	Kg		
	8.03	0.01		Water	0.48	m <sup>3</sup>		
	8.04	0.1		Skilled Labor	4.82	MD		
	8.05	0.15		Unskilled Labor	7.22	MD		
<b>A9</b>	<b>9.00</b>			<b>Electrical work</b>	<b>1.00</b>	<b>room</b>		<b>0</b>
	9.01			6 Amp, 1 gang, 1 way Switch for Bulb	1.00	Pcs		
	9.02			Soket under plaster	1.00	Pcs		
	9.03			Wire (2x2.5)	3.00	m		
	9.04			Wire (2x1.5)	3.00	m		
	9.05			Joint Box	1.00	Pcs		
	9.06			25 W bulb	1.00	Pcs		
	9.07	1		Skilled labour	1.00	MD		
All the electrical material will be Iranian or German made.								
<b>Total cost</b>								<b>0</b>

\* A is amendment norm (if the existing norm does not fit to the site condition please ignore it and write the actual norm to this column and follow the procedure)

Note: Any other needed activities which is not included here can be added